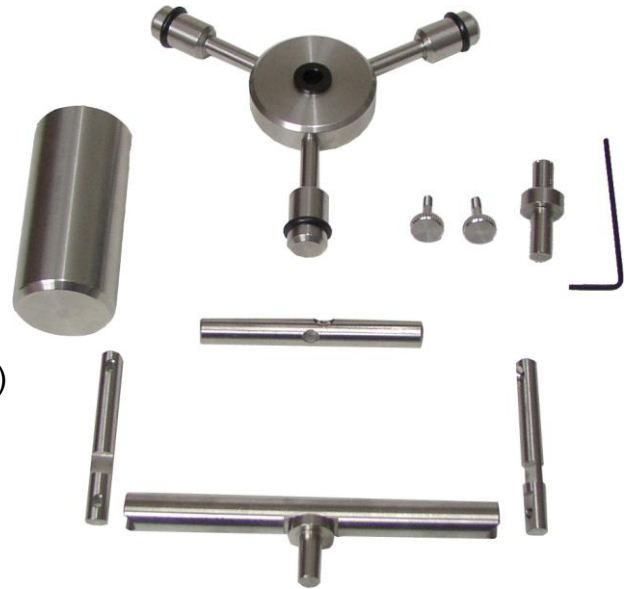


Gimbals Kit For The Super Precision Gyroscope

What is included:

- 1 x Platform
- 1 x Gimbal horizontal arm (T shaped)
- 2 x Gimbal vertical arms
- 1 x Centre beam
- 1 x Gyroscope counter weight
- 1 x Pin (to go in centre of platform)
- 2 x Screws
- 1 x Grub screw (screwed into counter weight)
- 1 x Alan/hex key (for grub screw)



This kit requires a super precision gyroscope

IMPORTANT

The gyroscope rotates at high speed and hence care should be taken to ensure that you do not touch the spinning disk/shaft when it is spinning. Do not drop or give the gyroscope a shock as this may damage or break the gyroscope (damage the bearings). Ensure clothing (e.g. ties) and hair kept away from the gyroscope when it is spinning. Keep the gyroscope away from young children and make sure older children are supervised.

CAUTION!

The gyroscope gimbals kit comes with 2 screws. Be careful not to screw them into the gyroscope directly. In some of the 7 positions on the gyroscope the screw can touch the brass disk. This WILL DAMAGE the gyroscope and if the gyroscope is rotating could caused injury.

Note: Linking TWO gyroscopes together

If you have two gyroscopes you can link them together. Firstly remove the grub screw (using the Alan/hex key) which comes fitted into the counter balance. Take one of the extensions that came with the gyroscope (not part of this kit). Put the grub screw into the one end and tighten up with the Alan/hex key. You should now have to screws ends at either end of the extension. Screw both ends into a gyroscope. Start the gyroscopes and see the effect.

The kit enables numerous configurations. We have put some of the configurations below.

