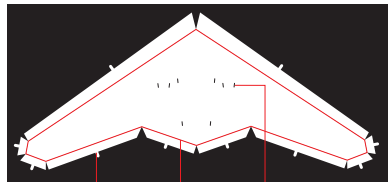
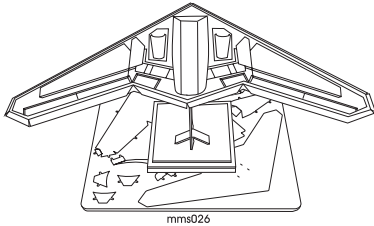


# METAL EARTH™

## 3D LASER CUT MODELS



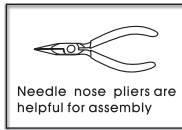
It is highly recommended that you visit [www.fascinations.com/metalearth360/mms026](http://www.fascinations.com/metalearth360/mms026) to see the completed model before assembling your own



Insertion tabs are inserted and then folded

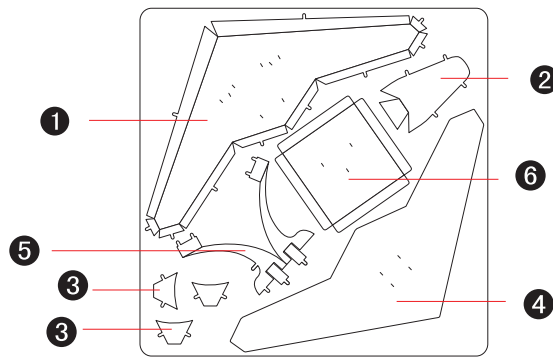
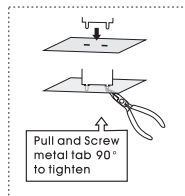
Fold lines can be seen as shown here

Insertion holes



### To create the best connections

- Insert tab and bend 90 degrees for most visible areas
- Insert tab and twist 90 degrees is best in some areas to ensure a tight connection



In order to avoid possible injury from sharp edges, please carefully discard the metal sheet after parts have been removed

### Assembly Flow Chart

